

GRADED CARE PROFILE (GCP) SCALE

Name (child):
Date of birth...
Carefirst ID:
Date of scoring:
Other identification date

Main carer/s
Rater's name:
Rater's signature.....

AREA	Sub-area	SCORES	Area score	Comments
------	----------	--------	------------	----------

(A) PHYSICAL	1. NUTRITION	1	2	3	4	5		
	2. HOUSING	1	2	3	4	5		
	3. CLOTHING	1	2	3	4	5		
	4. HYGIENE	1	2	3	4	5		
	5. HEALTH	1	2	3	4	5		

(B) SAFETY	1. IN CARER'S PRESENCE	1	2	3	4	5		
	2. IN CARER'S ABSENCE	1	2	3	4	5		

(C) LOVE	1. CARER	1	2	3	4	5		
	2. MUTUAL AGREEMENT	1	2	3	4	5		

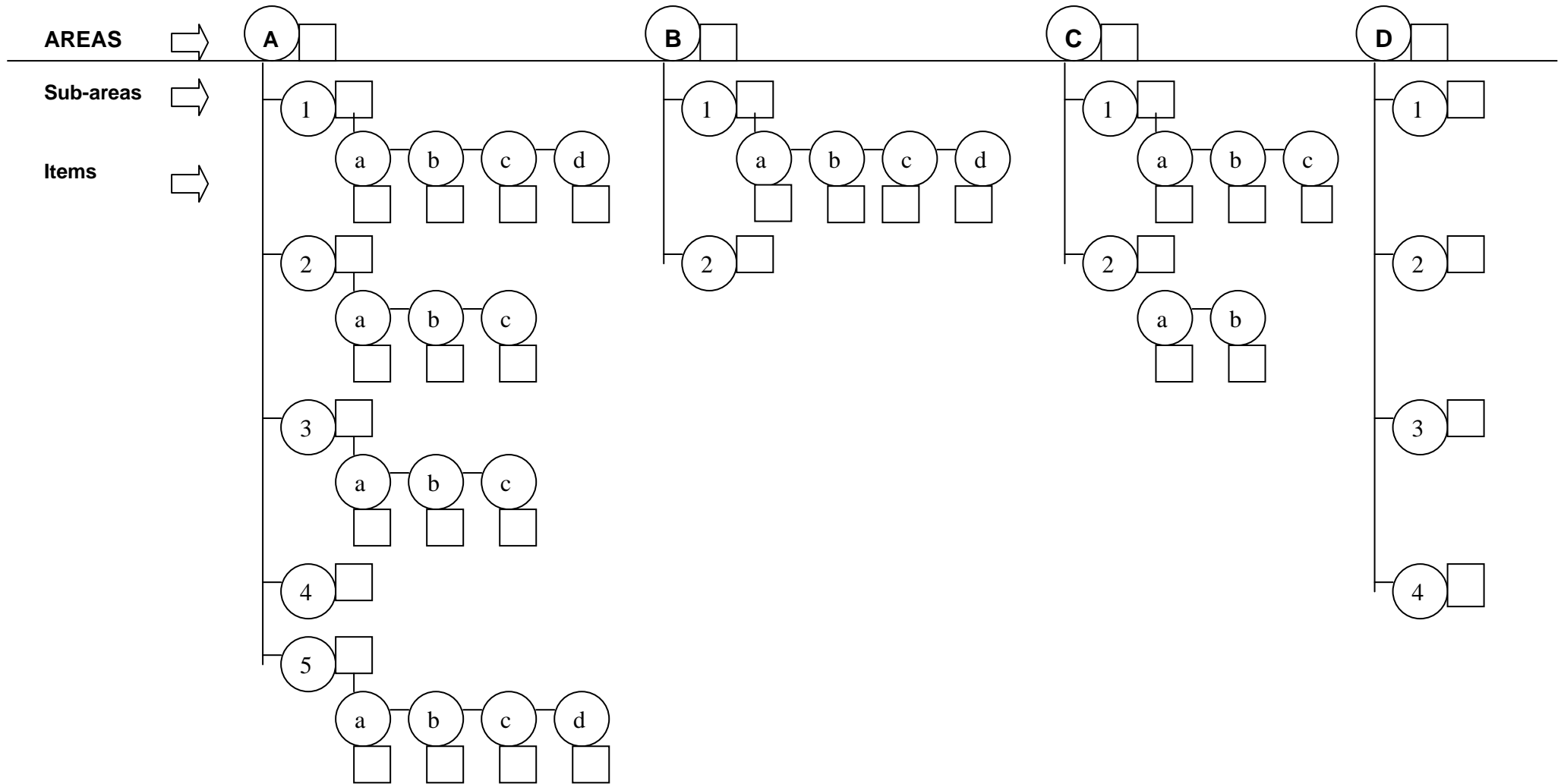
(D) ESTEEM	1. STIMULATION	1	2	3	4	5		
	2. APPROVAL	1	2	3	4	5		
	3. DISAPPROVAL	1	2	3	4	5		
	4. ACCEPTANCE	1	2	3	4	5		

TARGETING PARTICULAR AREAS OF CARE

Any item with a disproportionately high score can be identified by reference to the manual as: capital letter for an 'area', numericals for a 'sub-area' and small letter for an 'item'
(A/1/b = physical – nutrition – quantity)

	Targeted item	Current score	Period	Target score	Actual score
1					
2					
3					
4					
5					

FULL REFERENCE SCHEME:



=====

This is the scheme representing all 'items' (represented by small letters); 'sub areas' (represented by numerals), and 'areas' (represented by capital letters). These are printed in circles. Scores are to be noted in boxes adjacent to corresponding 'items', 'sub areas' and 'areas'. This represents the entire record as in the manual for full reference.